

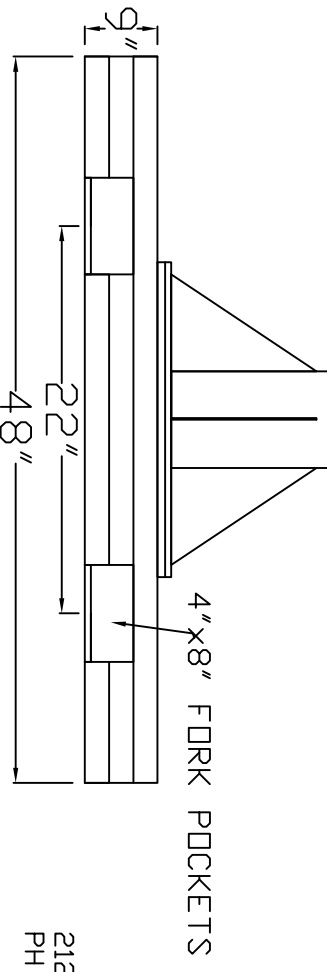
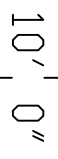
Enclosed Track

# PORTABLE BASE JIB

MODEL - MCS1010

CAPACITY - 500LBS

WEIGHT - 5,550LBS



4" X 8" FORK POCKETS



2127 W. NORDALE DR. APPLETON, WI 54914  
PH - 920-380-0397 FAX - 920-380-0845